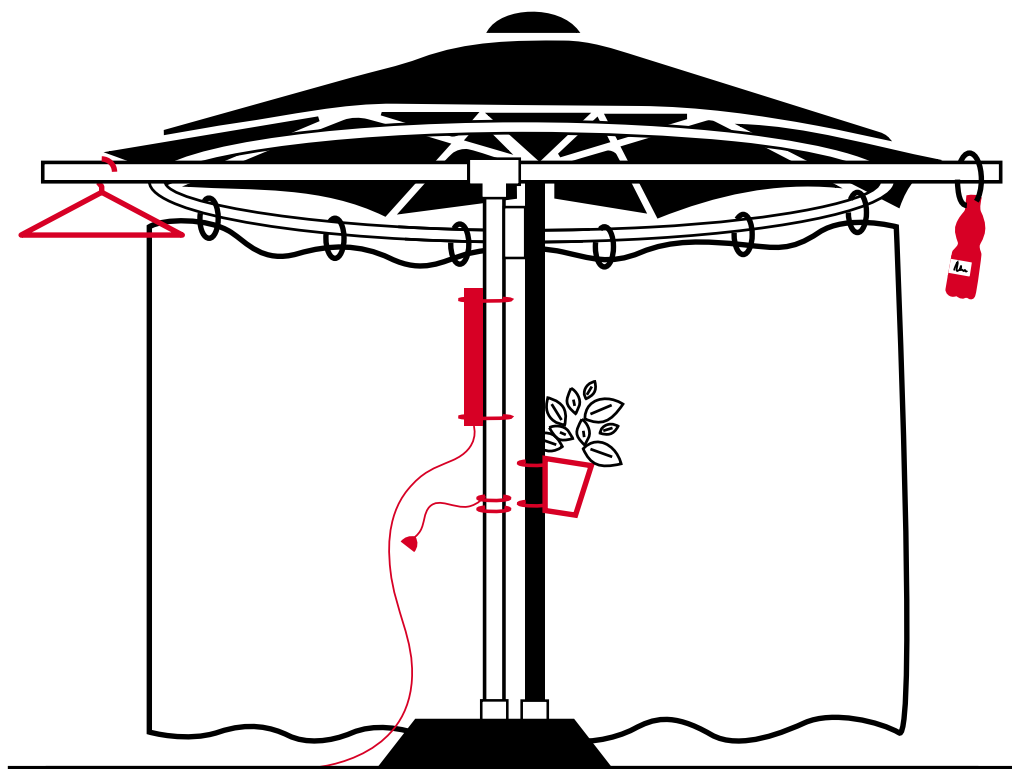
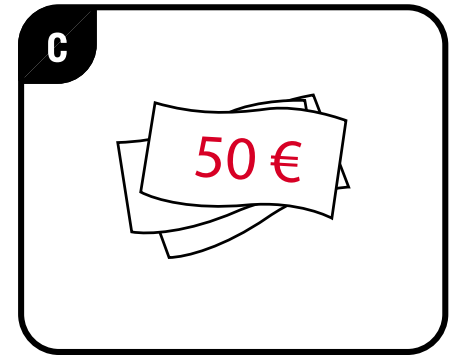
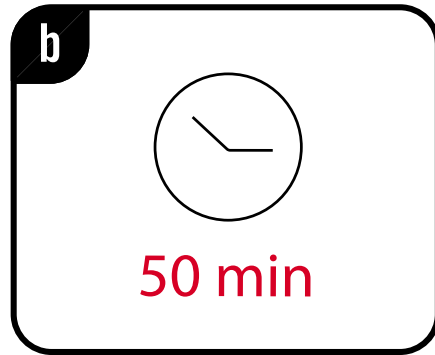
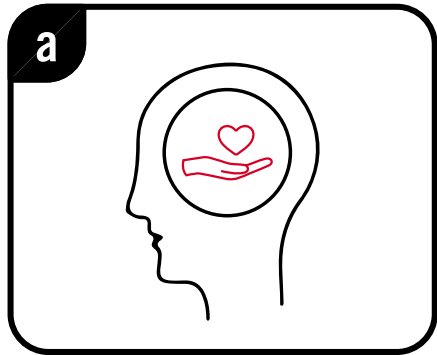




Instruction manual | parasol

caramel



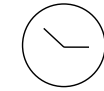


50.000





components



5 min

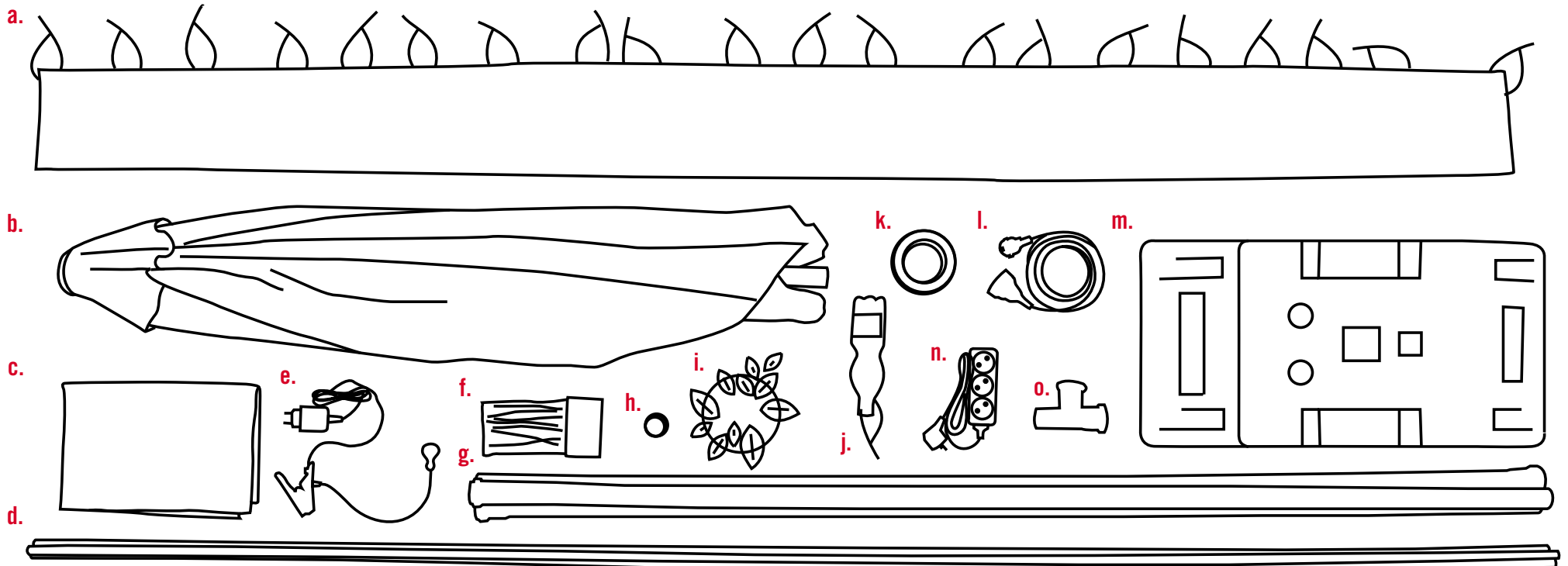


- a. curtain 4,5 m
- b. parasol
- c. curtain 3 m
- d. thin long pipe

- e. light
- f. cable tie
- g. thick short pipe
- h. pipe end

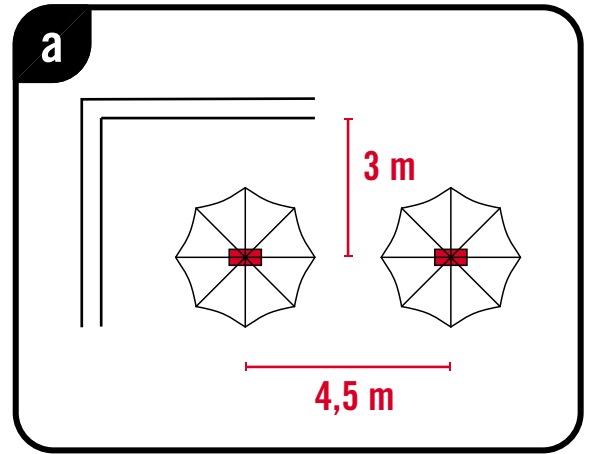
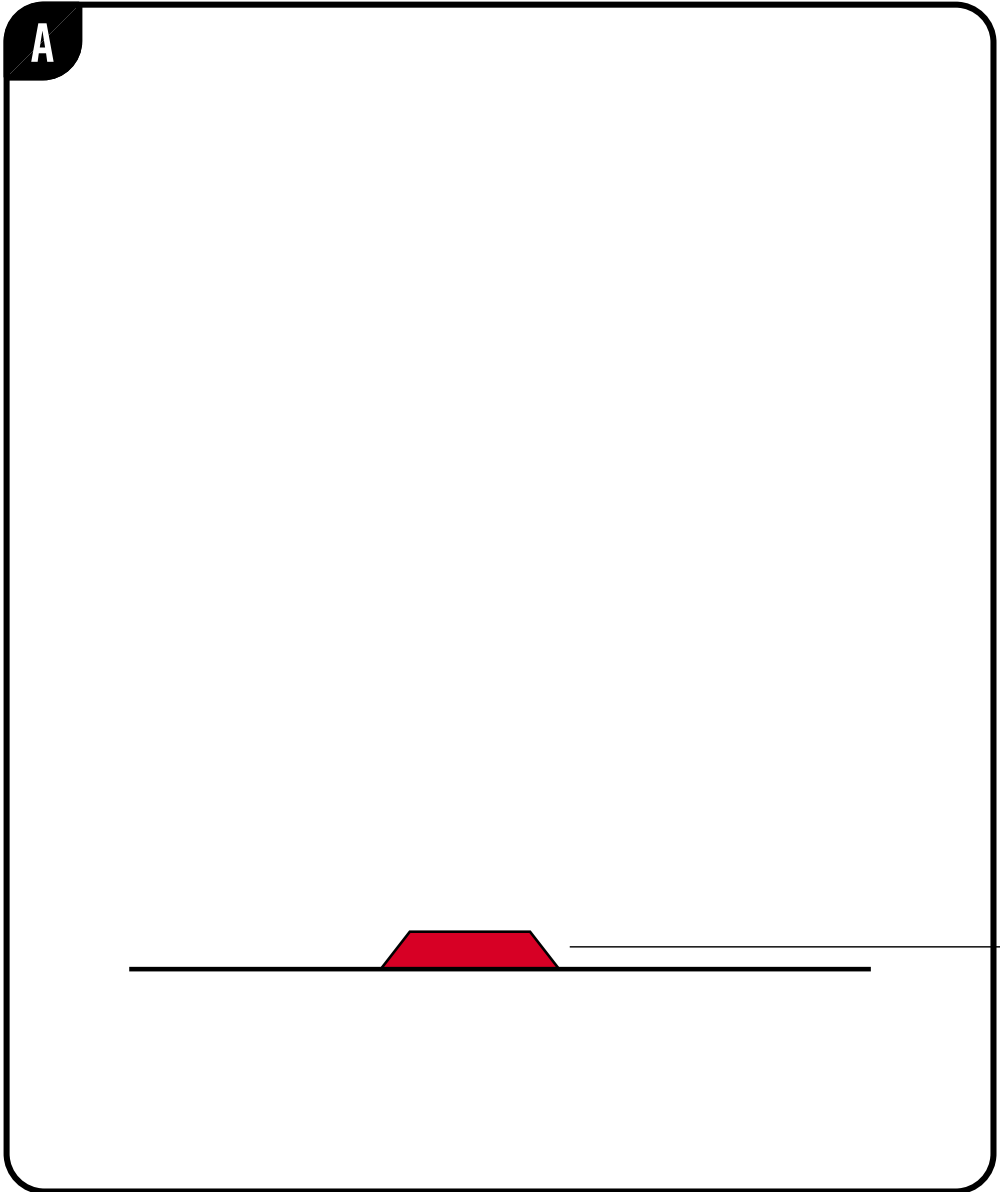
- i. flowerpot
- j. empty pet-bottle
- k. duct tape
- l. extension cord

- m. base
- n. multiple plugs
- o. pet-bottle



1

place the base

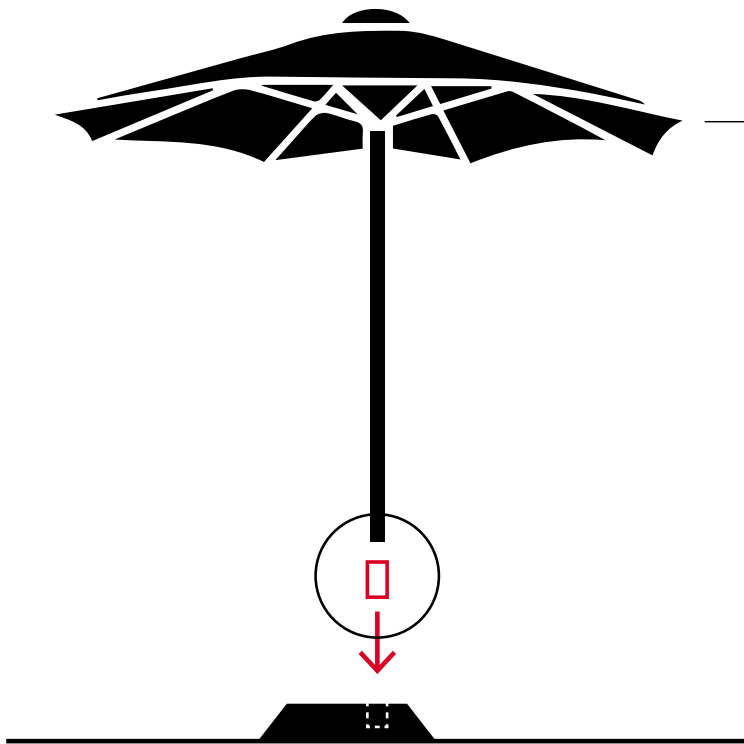


2

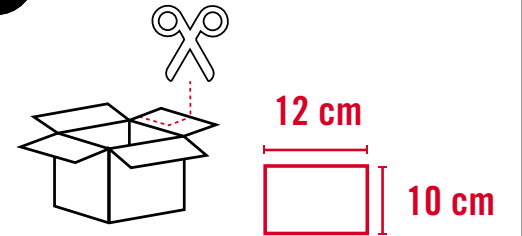
position parasol



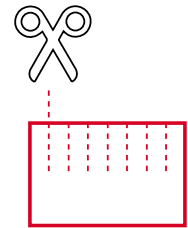
A



a



b

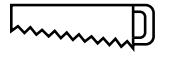


c

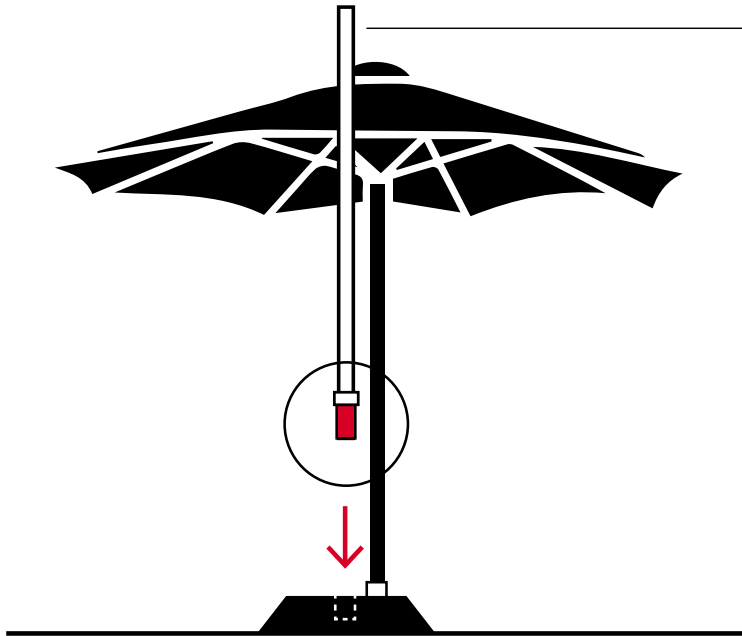


3

add vertical structure

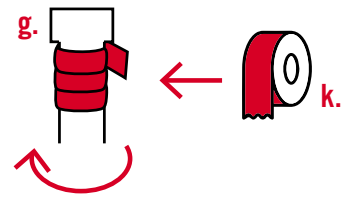


A

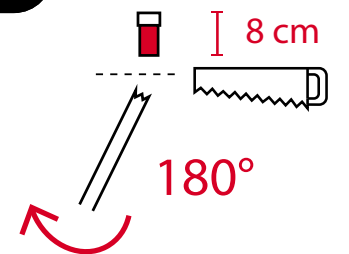


gg.

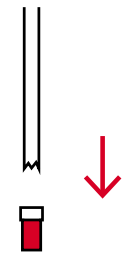
a



b

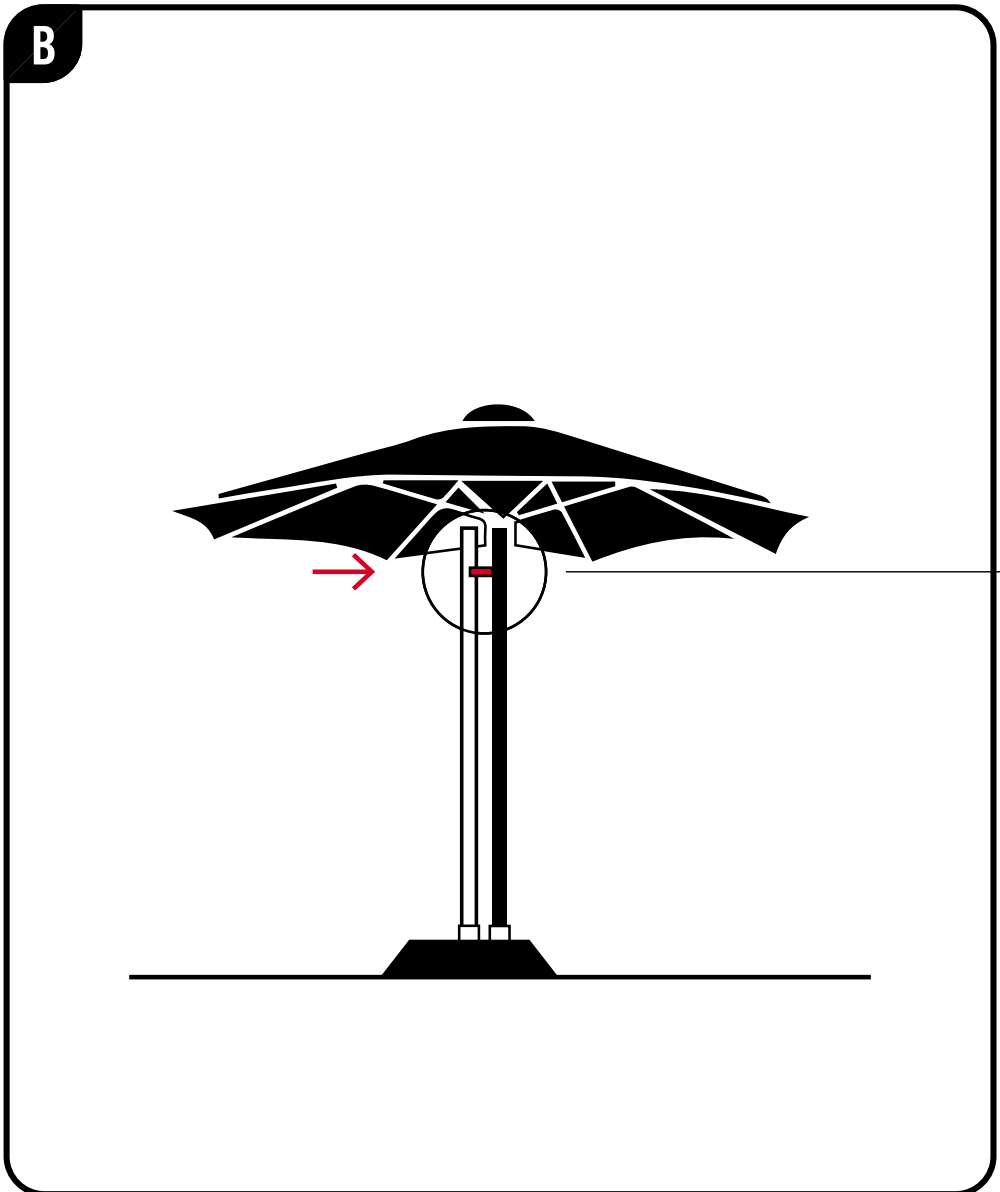


c

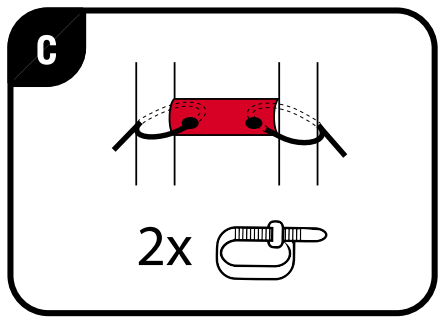
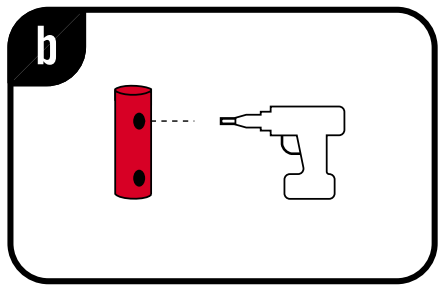
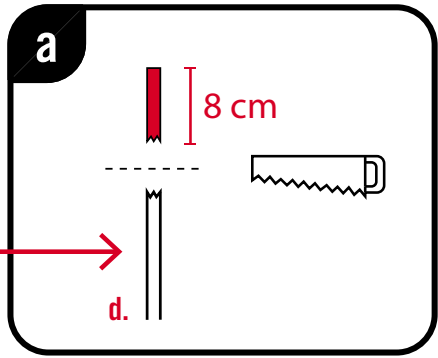


3

fix vertical structure



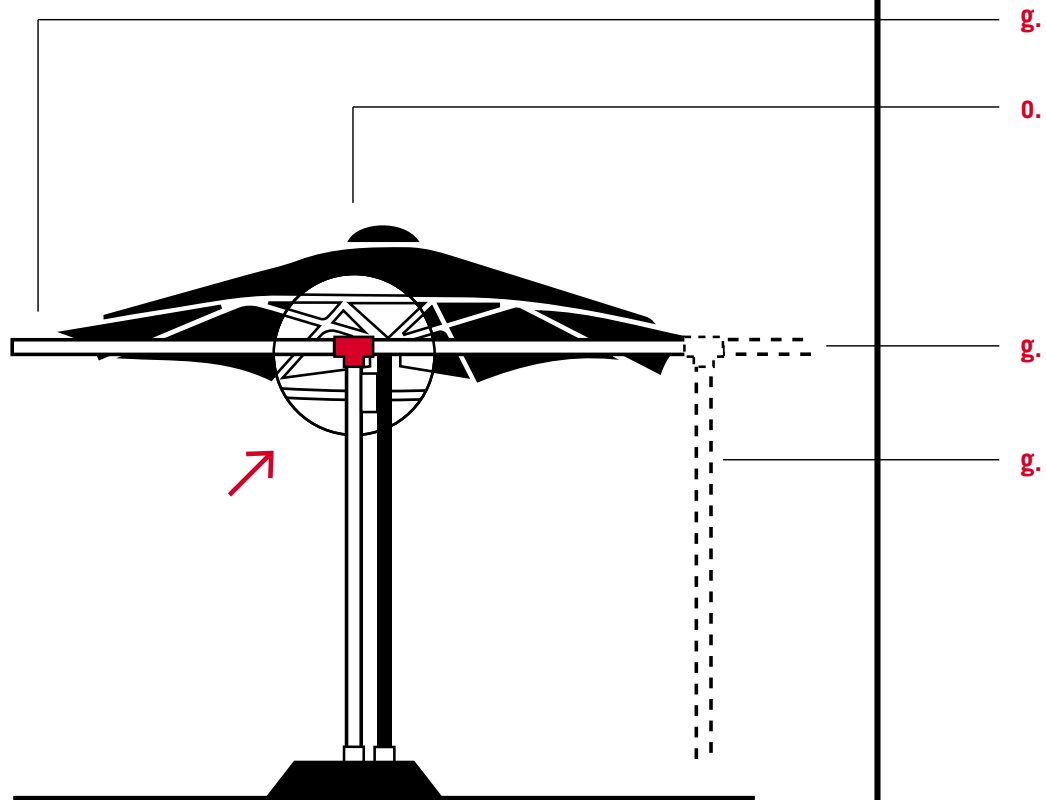
5



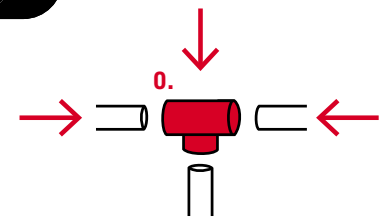
4

add horizontal structure

A

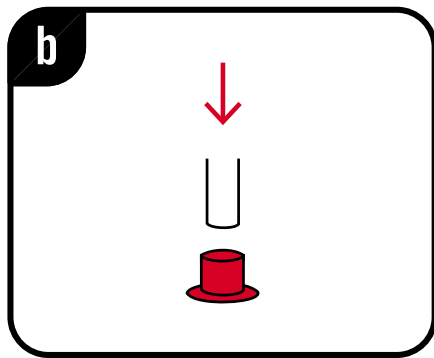
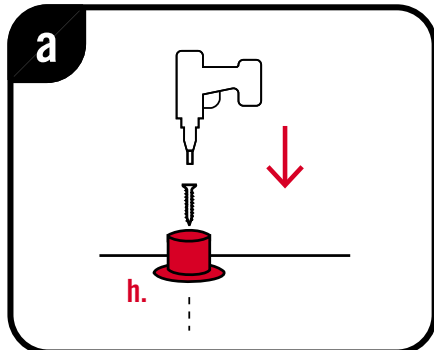
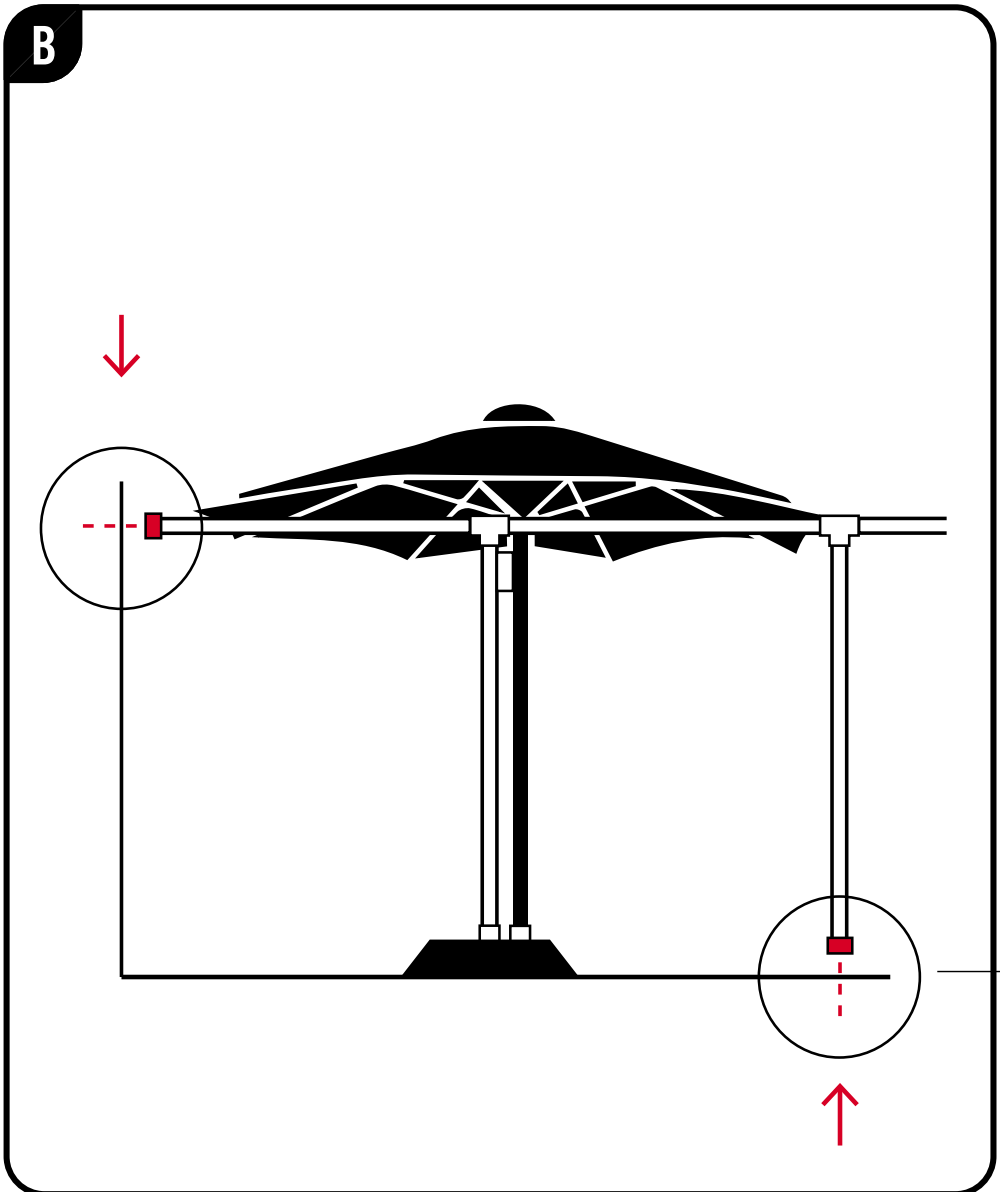


a



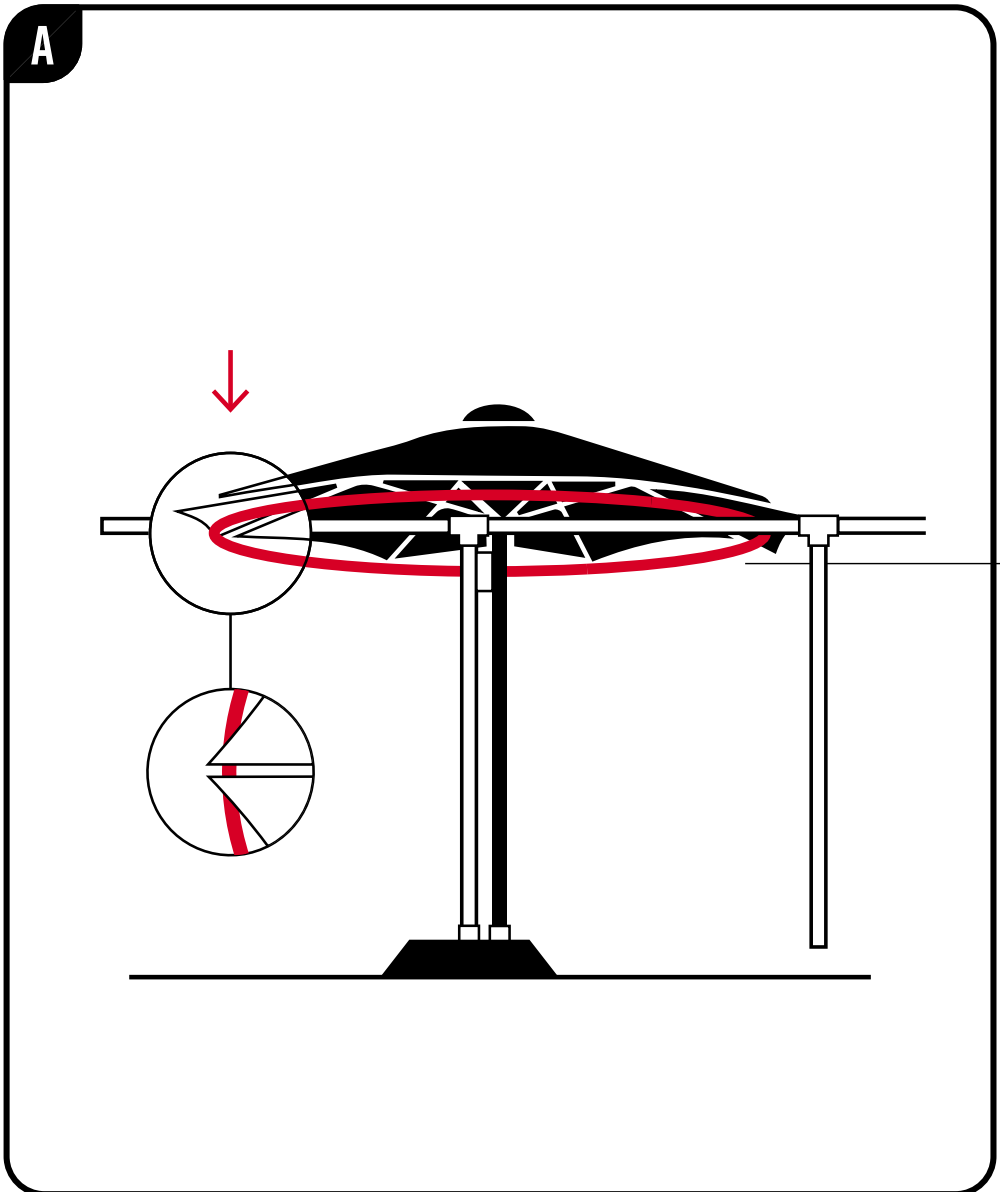
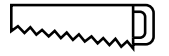
4

fix whole structure

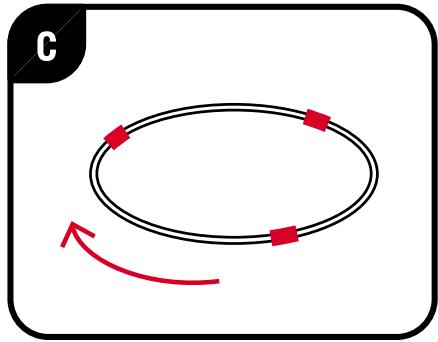
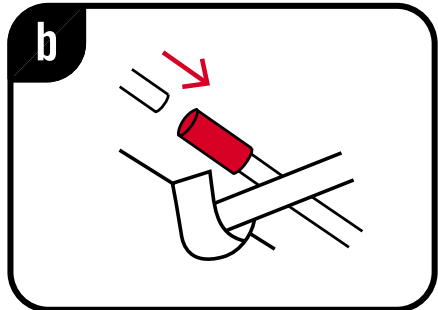
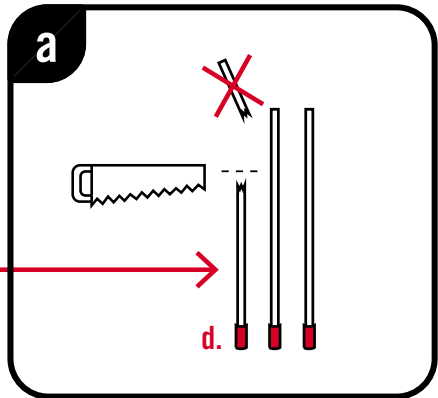


5

add curtain rail

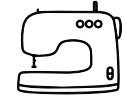


3B

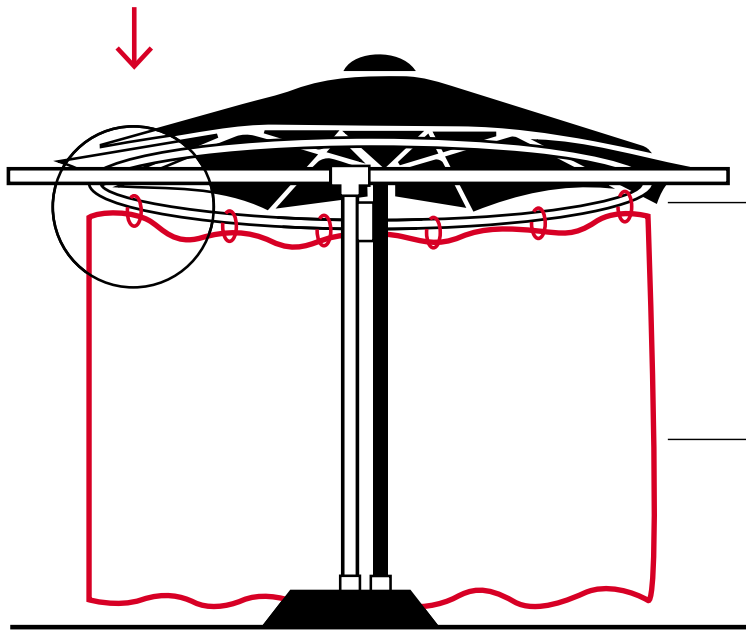


6

mount outer curtain



A



f.

a.

a

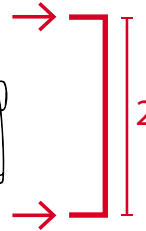
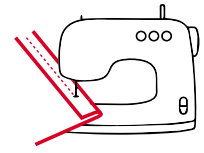


2 m

4,5 m

a.

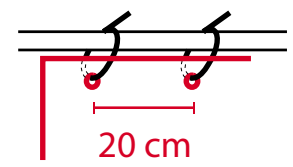
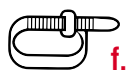
b



2 m

c

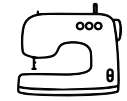
15x



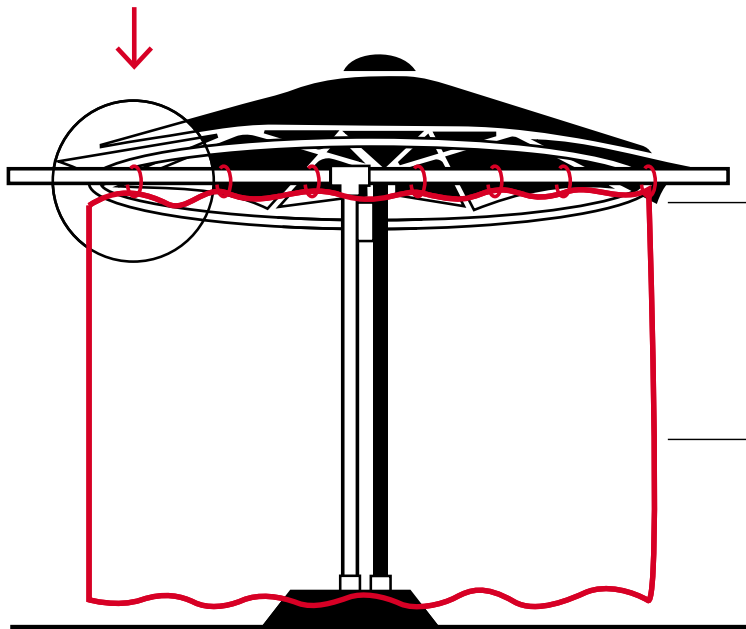
20 cm

7

mount inner curtain



A



f.

c.

a

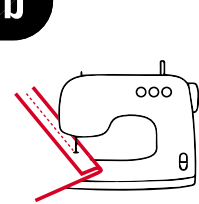


2 m

3 m

c.

b



2 m

c

15x

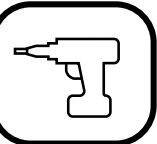


f.

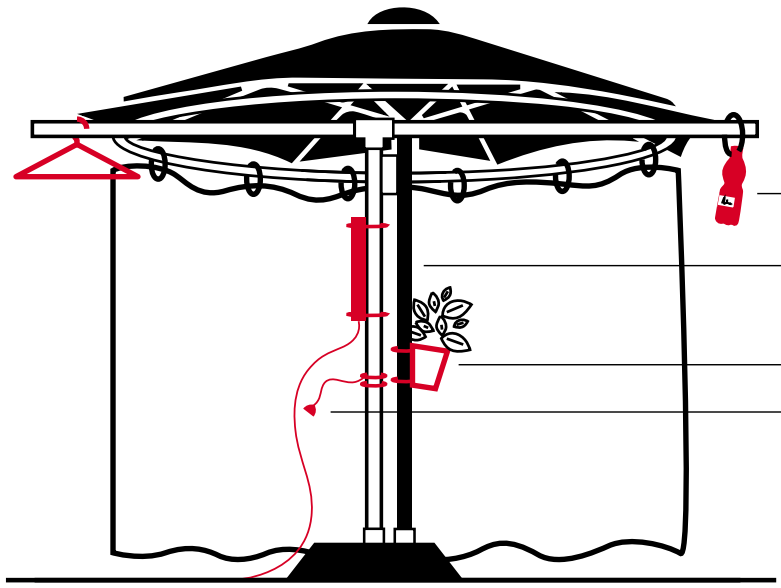
20 cm

8

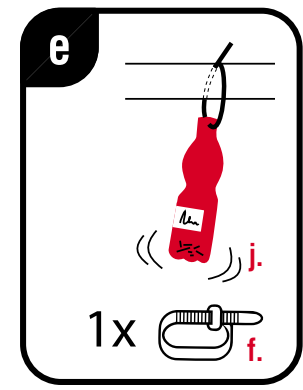
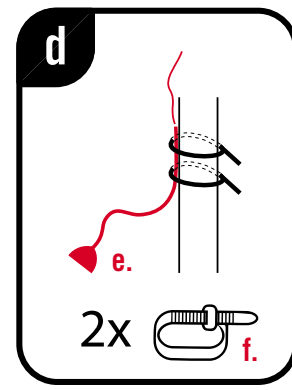
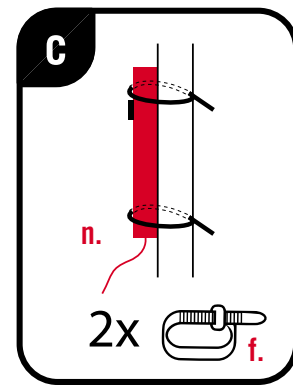
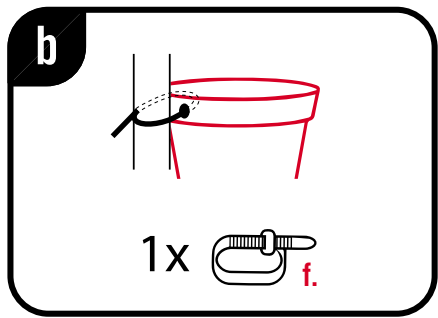
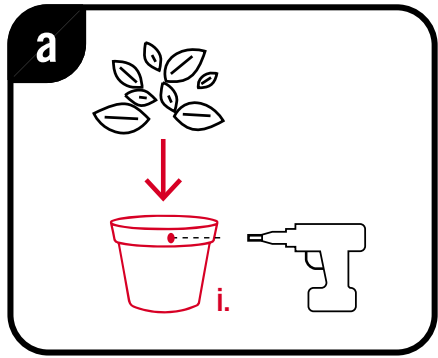
arrange add-ons



A

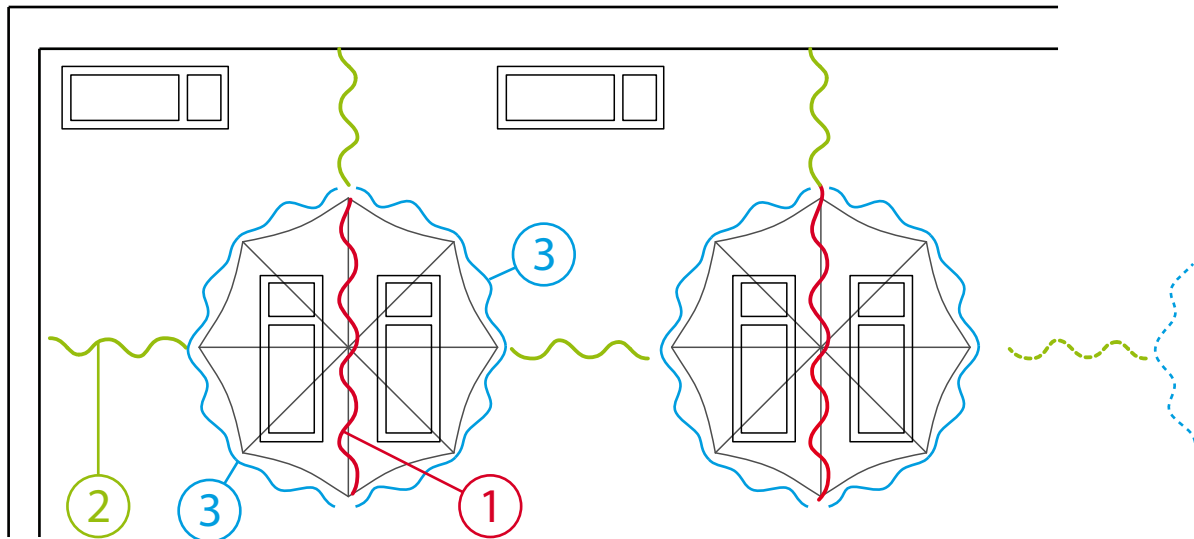


- j.
- n.
- i.
- e.

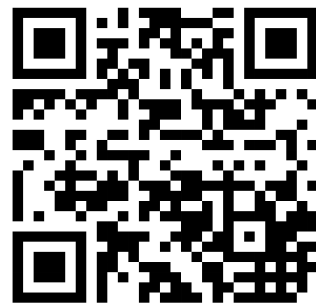


9

floorplan parasol



- ① 3m wide
- ② 1,5m wide
- ③ 4,5m wide



digital
Instruction manual